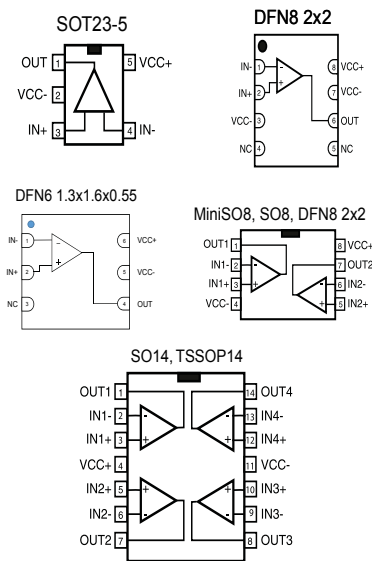


## Rail-to-rail input/output 20 MHz GBP operational amplifiers

Pin connections  
(top view)



### Features

- Low input offset voltage: 1.5 mV max. (A grade)
- Rail-to-rail input and output
- Wide bandwidth 20 MHz
- Stable for gain  $\geq 4$  or  $\leq -3$
- Low power consumption: 820  $\mu$ A typ.
- High output current: 35 mA
- Operating from 2.5 V to 5.5 V
- Low input bias current, 1 pA typ.
- ESD internal protection  $\geq 5$  kV

### Applications

- Battery-powered applications
- Portable devices
- Signal conditioning and active filtering
- Medical instrumentation
- Automotive applications

### Description

The TSV99x and TSV99xA family of single, dual, and quad operational amplifiers offers low voltage operation and rail-to-rail input and output. These devices feature an excellent speed/power consumption ratio, offering a 20 MHz gain-bandwidth, stable for gains above 4 (100 pF capacitive load), while consuming only 1.1 mA maximum at 5 V. They also feature an ultra-low input bias current. These characteristics make the TSV99x family ideal for sensor interfaces, battery-supplied and portable applications, as well as active filtering. These characteristics make the TSV99x, TSV99xA family ideal for sensor interfaces, battery-supplied and portable applications, as well as active filtering.

#### Product status link

[TSV991](#), [TSV992](#), [TSV994](#), [TSV991A](#),  
[TSV992A](#), [TSV994A](#)

#### Related products

See [TSV911](#),  
[TSV912](#), [TSV914](#),  
[TSV911A](#),  
[TSV912A](#),  
[TSV914A](#)

For unity-gain  
stable amplifiers

# 1 Absolute maximum ratings and operating conditions

**Table 1. Absolute maximum ratings (AMR)**

| Symbol     | Parameter   |                                 | Value                                  | Unit |
|------------|---|---------------------------------|--|------|
| $V_{CC}$   | Supply voltage <sup>(1)</sup>                             |                                 | 6                                      | V    |
| $V_{id}$   | Differential input voltage <sup>(2)</sup>                 |                                 | $\pm V_{CC}$                           |      |
| $V_{in}$   | Input voltage <sup>(3)</sup>                              |                                 | $(V_{CC-}) - 0.2$ to $(V_{CC+}) + 0.2$ |      |
| $I_{in}$   | Input current <sup>(4)</sup>                              |                                 | 10                                     | mA   |
| $T_{stg}$  | Storage temperature                                       |                                 | -65 to 150                             | °C   |
| $T_j$      | Maximum junction temperature                              |                                 | 150                                    |      |
| $R_{thja}$ | Thermal resistance junction to ambient <sup>(5) (6)</sup> | DFN8 2x2                        | 57                                     | °C/W |
|            |   | DFN6 1.3x1.6x0.55               | 230                                    |      |
|            |   | SOT23-5                         | 250                                    |      |
|            |   | SO8                             | 125                                    |      |
|            |   | MiniSO8                         | 190                                    |      |
|            |   | SO14                            | 103                                    |      |
|            |   | TSSOP14                         | 100                                    |      |
| $R_{thjc}$ | Thermal resistance junction to case                       | SOT23-5                         | 81                                     | °C/W |
|            |   | SO8                             | 40                                     |      |
|            |   | MiniSO8                         | 39                                     |      |
|            |   | SO14                            | 31                                     |      |
|            |   | TSSOP14                         | 32                                     |      |
| ESD        | HBM: human body model <sup>(7)</sup>                      |                                 | 5                                      | kV   |
|            | MM: machine model <sup>(8)</sup>                          |                                 | 400                                    | V    |
|            | CDM: charged device model <sup>(9)</sup>                  | SOT23-5, SO8, MiniSO8, DFN8 2x2 | 1500                                   |      |
|            |   | DFN6 1.3x1.6x0.55               | TBD                                    |      |
|            |   | TSSOP14                         | 750                                    |      |
|            |   | SO14                            | 500                                    |      |
|            | Latch-up immunity   |                                 | 200                                    | mA   |

1. Value is with respect to the  $V_{CC}$ -pin.
2. Differential voltages are the non-inverting input terminal with respect to the inverting input terminal.
3.  $V_{CC} - V_{IN}$  must not exceed 6 V.
4. Input current must be limited by a resistor in series with the inputs.
5. Short-circuits can cause excessive heating and destructive dissipation.
6.  $R_{th}$  are typical values.
7. Human body model: 100 pF discharged through a 1.5 k $\Omega$  resistor between two pins of the device, done for all couples of pin combinations with other pins floating.
8. Machine model: 200 pF charged to the specified voltage, then discharged directly between two pins of the device with no external series resistor (internal resistor < 5  $\Omega$ ), done for all couples of pin combinations with other pins floating.
9. Charged device model: all pins plus packages are charged together to the specified voltage and then discharged directly to the ground.

**Table 2. Operating conditions**

| Symbol    | Parameter                            | Value                                  | Unit |
|-----------|--------------------------------------|--|------|
| $V_{CC}$  | Supply voltage                       | 2.5 to 5.5                             | V    |
| $V_{icm}$ | Common mode input voltage range      | $(V_{CC-}) - 0.1$ to $(V_{CC+}) + 0.1$ |      |
| $T_{op}$  | Operating free air temperature range | -40 to 125                             | °C   |

## 2 Electrical characteristics

*Note:* In the electrical characteristic tables below, all parameter limits at temperatures other than 25 °C are guaranteed by correlation.

**Table 3. Electrical characteristics at  $V_{CC+} = 2.5\text{ V}$ ,  $V_{CC-} = 0\text{ V}$ ,  $V_{icm} = V_{CC}/2$ , with  $R_L$  connected to  $V_{CC}/2$ , full temperature range (unless otherwise specified)**

| Symbol                   | Parameter  | Conditions   | Min. | Typ. | Max. | Unit                    |
|--------------------------|--|--|------|------|------|-------------------------|
| <b>DC performance</b>    |  |  |      |      |      |                         |
| $V_{io}$                 | Offset voltage, TSV99x   | $T_{op} = 25\text{ °C}$  |      | 0.1  | 4.5  | mV                      |
|                          |  | $T_{min} < T_{op} < T_{max}$   |      |      | 7.5  |                         |
|                          | Offset voltage, TSV99xA  | $T_{op} = 25\text{ °C}$  |      |      | 1.5  |                         |
|                          |  | $T_{min} < T_{op} < T_{max}$   |      |      | 3    |                         |
| $\Delta V_{io}/\Delta T$ | Input offset voltage drift   |  |      | 2    |      | $\mu\text{V}/\text{°C}$ |
| $I_{io}$                 | Input offset current,<br>$V_{out} = V_{CC}/2$ <sup>(1)</sup>             | $T_{op} = 25\text{ °C}$  |      | 1    | 10   | pA                      |
|                          |  | $T_{min} < T_{op} < T_{max}$   |      |      | 100  |                         |
| $I_{ib}$                 | Input bias current, $V_{out} = V_{CC}/2$<br><small>Section 2 (1)</small> | $T_{op} = 25\text{ °C}$  |      | 1    | 10   | pA                      |
|                          |  | $T_{min} < T_{op} < T_{max}$   |      |      | 100  |                         |
| CMR                      | Common mode rejection ratio,<br>$20 \log(\Delta V_{ic}/\Delta V_{io})$   | $0\text{ V to } 2.5\text{ V}$ , $V_{out} = 1.25\text{ V}$ , $T_{op} = 25\text{ °C}$  | 58   | 75   |      | dB                      |
|                          |  | $T_{min} < T_{op} < T_{max}$   | 53   |      |      |                         |
| $A_{vd}$                 | Large signal voltage gain  | $R_L = 10\text{ k}\Omega$ , $V_{out} = 0.5\text{ V to } 2\text{ V}$ ,<br>$T_{op} = 25\text{ °C}$   | 80   | 89   |      | dB                      |
|                          |  | $T_{min} < T_{op} < T_{max}$   | 75   |      |      |                         |
| $V_{CC} - V_{OH}$        | High-level output voltage  | $R_L = 10\text{ k}\Omega$ , $T_{min} < T_{op} < T_{max}$   |      | 15   | 40   | mV                      |
|                          |  | $R_L = 600\ \Omega$ , $T_{min} < T_{op} < T_{max}$   |      | 45   | 150  |                         |
| $V_{OL}$                 | Low-level output voltage   | $R_L = 10\text{ k}\Omega$ , $T_{min} < T_{op} < T_{max}$   |      | 15   | 40   | mV                      |
|                          |  | $R_L = 600\ \Omega$ , $T_{min} < T_{op} < T_{max}$   |      | 45   | 150  |                         |
| $I_{out}$                | $I_{sink}$   | $V_o = 2.5\text{ V}$ , $T_{op} = 25\text{ °C}$   | 18   | 32   |      | mA                      |
|                          |  | $T_{min} < T_{op} < T_{max}$   | 16   |      |      |                         |
|                          | $I_{source}$   | $V_o = 0\text{ V}$ , $T_{op} = 25\text{ °C}$   | 18   | 35   |      |                         |
|                          |  | $T_{min} < T_{op} < T_{max}$   | 16   |      |      |                         |
| $I_{CC}$                 | Supply current (per channel)   | No load, $V_{out} = V_{CC}/2$ , $T_{min} < T_{op} < T_{max}$   |      | 0.78 | 1.1  |                         |
| <b>AC performance</b>    |  |  |      |      |      |                         |
| GBP                      | Gain bandwidth product   | $R_L = 2\text{ k}\Omega$ , $C_L = 100\text{ pF}$ , $f = 100\text{ kHz}$ ,<br>$T_{op} = 25\text{ °C}$   |      | 20   |      | MHz                     |
| Gain                     | Minimum gain for stability   | Phase margin = 45°, $R_f = 10\text{ k}\Omega$ ,<br>$R_L = 2\text{ k}\Omega$ , $C_L = 100\text{ pF}$ , $T_{op} = 25\text{ °C}$ ,<br>positive gain configuration |      | 4    |      | V/V                     |

| Symbol | Parameter                      | Conditions  | Min. | Typ.   | Max. | Unit                   |
|--------|--------------------------------|---|------|--------|------|------------------------|
| Gain   | Minimum gain for stability     | Phase margin = 45°, $R_f = 10\text{ k}\Omega$ , $R_L = 2\text{ k}\Omega$ , $C_L = 100\text{ pF}$ , $T_{op} = 25\text{ }^\circ\text{C}$ , negative gain configuration        |      | -3     |      | V/V                    |
| SR     | Slew rate                      | $R_L = 2\text{ k}\Omega$ , $C_L = 100\text{ pF}$ , $T_{op} = 25\text{ }^\circ\text{C}$  |      | 10     |      | V/ $\mu\text{s}$       |
| $e_n$  | Equivalent input noise voltage | $f = 10\text{ kHz}$ , $T_{op} = 25\text{ }^\circ\text{C}$   |      | 21     |      | nV/ $\sqrt{\text{Hz}}$ |
| THD+N  | Total harmonic distortion      | $G = -3$ , $f = 1\text{ kHz}$ , $R_L = 2\text{ k}\Omega$ , $B_w = 22\text{ kHz}$ , $V_{icm} = V_{CC}/2$ , $V_{out} = 2\text{ V}_{pp}$ , $T_{op} = 25\text{ }^\circ\text{C}$ |      | 0.0025 |      | %                      |

1. Guaranteed by design

**Table 4. Electrical characteristics at  $V_{CC+} = 3.3\text{ V}$ ,  $V_{CC-} = 0\text{ V}$ ,  $V_{icm} = V_{CC}/2$ , with  $R_L$  connected to  $V_{CC}/2$ , full temperature range (unless otherwise specified)**

| Symbol                   | Parameter   | Conditions  | Min. | Typ. | Max. | Unit                         |
|--------------------------|---|---|------|------|------|------------------------------|
| <b>DC performance</b>    |   |   |      |      |      |                              |
| $V_{io}$                 | Offset voltage, TSV99x  | $T_{op} = 25\text{ }^\circ\text{C}$   |      | 0.1  | 4.5  | mV                           |
|                          |   | $T_{min} < T_{op} < T_{max}$  |      |      | 7.5  |                              |
|                          | Offset voltage, TSV99xA   | $T_{op} = 25\text{ }^\circ\text{C}$   |      |      | 1.5  |                              |
|                          |   | $T_{min} < T_{op} < T_{max}$  |      |      | 3    |                              |
| $\Delta V_{io}/\Delta T$ | Input offset voltage drift  |   |      | 2    |      | $\mu\text{V}/^\circ\text{C}$ |
| $I_{io}$                 | Input offset current, $V_{out} = V_{CC}/2$ <sup>(1)</sup>                 | $T_{op} = 25\text{ }^\circ\text{C}$   |      | 1    | 10   | pA                           |
|                          |   | $T_{min} < T_{op} < T_{max}$  |      |      | 100  |                              |
| $I_{ib}$                 | Input bias current, $V_{out} = V_{CC}/2$<br>Section 2 (1)                 | $T_{op} = 25\text{ }^\circ\text{C}$   |      | 1    | 10   |                              |
|                          |   | $T_{min} < T_{op} < T_{max}$  |      |      | 100  |                              |
| CMR                      | Common mode rejection ratio, $20\text{ log}(\Delta V_{ic}/\Delta V_{io})$ | $0\text{ V to } 3.3\text{ V}$ , $V_{out} = 1.65\text{ V}$ , $T_{op} = 25\text{ }^\circ\text{C}$             | 60   | 78   |      | dB                           |
|                          |   | $T_{min} < T_{op} < T_{max}$  | 55   |      |      |                              |
| $A_{vd}$                 | Large signal voltage gain   | $R_L = 10\text{ k}\Omega$ , $V_{out} = 0.5\text{ V to } 2.8\text{ V}$ , $T_{op} = 25\text{ }^\circ\text{C}$ | 80   | 89   |      |                              |
|                          |   | $T_{min} < T_{op} < T_{max}$  | 75   |      |      |                              |
| $V_{CC} - V_{OH}$        | High-level output voltage   | $R_L = 10\text{ k}\Omega$ , $T_{min} < T_{op} < T_{max}$  |      | 15   | 40   | mV                           |
|                          |   | $R_L = 600\text{ }\Omega$ , $T_{min} < T_{op} < T_{max}$  |      | 45   | 150  |                              |
| $V_{OL}$                 | Low-level output voltage  | $R_L = 10\text{ k}\Omega$ , $T_{min} < T_{op} < T_{max}$  |      | 15   | 40   |                              |
|                          |   | $R_L = 600\text{ }\Omega$ , $T_{min} < T_{op} < T_{max}$  |      | 45   | 150  |                              |
| $I_{out}$                | $I_{sink}$  | $V_o = 3.3\text{ V}$ , $T_{op} = 25\text{ }^\circ\text{C}$  | 18   | 32   |      | mA                           |
|                          |   | $T_{min} < T_{op} < T_{max}$  | 16   |      |      |                              |
|                          | $I_{source}$  | $V_o = 0\text{ V}$ , $T_{op} = 25\text{ }^\circ\text{C}$  | 18   | 35   |      |                              |
|                          |   | $T_{min} < T_{op} < T_{max}$  | 16   |      |      |                              |
| $I_{CC}$                 | Supply current (per channel)  | No load, $V_{out} = V_{CC}/2$ , $T_{min} < T_{op} < T_{max}$  |      | 0.8  | 1.1  |                              |
| <b>AC performance</b>    |   |   |      |      |      |                              |

| Symbol | Parameter                      | Conditions  | Min. | Typ.   | Max. | Unit                   |
|--------|--------------------------------|---|------|--------|------|------------------------|
| GBP    | Gain bandwidth product         | $R_L = 2\text{ k}\Omega$ , $C_L = 100\text{ pF}$ , $f = 100\text{ kHz}$ ,<br>$T_{op} = 25\text{ }^\circ\text{C}$  |      | 20     |      | MHz                    |
| Gain   | Minimum gain for stability     | Phase margin = $45^\circ$ , $R_f = 10\text{ k}\Omega$ ,<br>$R_L = 2\text{ k}\Omega$ , $C_L = 100\text{ pF}$ , $T_{op} = 25\text{ }^\circ\text{C}$ ,<br>positive gain configuration  |      | 4      |      | V/V                    |
|        |                                | Phase margin = $45^\circ$ , $R_f = 10\text{ k}\Omega$ ,<br>$R_L = 2\text{ k}\Omega$ , $C_L = 100\text{ pF}$ , $T_{op} = 25\text{ }^\circ\text{C}$ ,<br>negative gain configuration  |      | -3     |      |                        |
| SR     | Slew rate                      | $R_L = 2\text{ k}\Omega$ , $C_L = 100\text{ pF}$ , $f = 100\text{ kHz}$ ,<br>$T_{op} = 25\text{ }^\circ\text{C}$  |      | 10     |      | V/ $\mu\text{s}$       |
| $e_n$  | Equivalent input noise voltage | $f = 10\text{ kHz}$ , $T_{op} = 25\text{ }^\circ\text{C}$   |      | 21     |      | nV/ $\sqrt{\text{Hz}}$ |
| THD+N  | Total harmonic distortion      | $G = -3$ , $f = 1\text{ kHz}$ , $R_L = 2\text{ k}\Omega$ , $B_w = 22\text{ kHz}$ ,<br>$V_{icm} = V_{CC}/2$ , $V_{out} = 2.8\text{ V}_{pp}$ ,<br>$T_{op} = 25\text{ }^\circ\text{C}$ |      | 0.0018 |      | %                      |

1. Guaranteed by design.

**Table 5. Electrical characteristics at  $V_{CC+} = 5\text{ V}$ ,  $V_{CC-} = 0\text{ V}$ ,  $V_{icm} = V_{CC}/2$ , with  $R_L$  connected to  $V_{CC}/2$ , full temperature range (unless otherwise specified)**

| Symbol                   | Parameter   | Conditions   | Min. | Typ. | Max. | Unit                         |
|--------------------------|---|--|------|------|------|------------------------------|
| <b>DC performance</b>    |   |  |      |      |      |                              |
| $V_{io}$                 | Offset voltage, TSV99x  | $T_{op} = 25\text{ }^\circ\text{C}$  |      | 0.1  | 4.5  | mV                           |
|                          |   | $T_{min} < T_{op} < T_{max}$   |      |      | 7.5  |                              |
|                          | Offset voltage, TSV99xA   | $T_{op} = 25\text{ }^\circ\text{C}$  |      |      | 1.5  |                              |
|                          |   | $T_{min} < T_{op} < T_{max}$   |      |      | 3    |                              |
| $\Delta V_{io}/\Delta T$ | Input offset voltage drift  |  |      | 2    |      | $\mu\text{V}/^\circ\text{C}$ |
| $I_{io}$                 | Input offset current,<br>$V_{out} = V_{CC}/2$ <sup>(1)</sup>                    | $T_{op} = 25\text{ }^\circ\text{C}$  |      | 1    | 10   | pA                           |
|                          |   | $T_{min} < T_{op} < T_{max}$   |      |      | 100  |                              |
| $I_{ib}$                 | Input bias current, $V_{out} = V_{CC}/2$<br><small>Section 2 (1)</small>        | $T_{op} = 25\text{ }^\circ\text{C}$  |      | 1    | 10   |                              |
|                          |   | $T_{min} < T_{op} < T_{max}$   |      |      | 100  |                              |
| CMR                      | Common mode rejection ratio,<br>$20\text{ log}(\Delta V_{ic}/\Delta V_{io})$    | 0 V to 5 V, $V_{out} = 2.5\text{ V}$ ,<br>$T_{op} = 25\text{ }^\circ\text{C}$                                  | 62   | 82   |      | dB                           |
|                          |   | $T_{min} < T_{op} < T_{max}$   | 57   |      |      |                              |
| SVR                      | Supply voltage rejection ratio,<br>$20\text{ log}(\Delta V_{cc}/\Delta V_{io})$ | $V_{CC} = 2.5\text{ V to } 5\text{ V}$   | 70   | 86   |      |                              |
| $A_{vd}$                 | Large signal voltage gain   | $R_L = 10\text{ k}\Omega$ , $V_{out} = 0.5\text{ V to } 4.5\text{ V}$ ,<br>$T_{op} = 25\text{ }^\circ\text{C}$ | 80   | 91   |      |                              |
|                          |   | $T_{min} < T_{op} < T_{max}$   | 75   |      |      |                              |
| $V_{CC} - V_{OH}$        | High-level output voltage   | $R_L = 10\text{ k}\Omega$ , $T_{min} < T_{op} < T_{max}$   |      | 15   | 40   | mV                           |
|                          |   | $R_L = 600\text{ }\Omega$ , $T_{min} < T_{op} < T_{max}$   |      | 45   | 150  |                              |
| $V_{OL}$                 | Low-level output voltage  | $R_L = 10\text{ k}\Omega$ , $T_{min} < T_{op} < T_{max}$   |      | 15   | 40   |                              |
|                          |   | $R_L = 600\text{ }\Omega$ , $T_{min} < T_{op} < T_{max}$   |      | 45   | 150  |                              |

| Symbol                | Parameter                      | Conditions   | Min. | Typ.   | Max. | Unit                   |
|-----------------------|--------------------------------|--|------|--------|------|------------------------|
| $I_{out}$             | $I_{sink}$                     | $V_o = 5\text{ V}, T_{op} = 25\text{ }^\circ\text{C}$  | 18   | 32     |      | mA                     |
|                       |                                | $T_{min} < T_{op} < T_{max}$   | 16   |        |      |                        |
|                       | $I_{source}$                   | $V_o = 0\text{ V}, T_{op} = 25\text{ }^\circ\text{C}$  | 18   | 35     |      |                        |
|                       |                                | $T_{min} < T_{op} < T_{max}$   | 16   |        |      |                        |
| $I_{CC}$              | Supply current (per channel)   | No load, $V_{out} = 2.5\text{ V}, T_{min} < T_{op} < T_{max}$  |      | 0.82   | 1.1  |                        |
| <b>AC performance</b> |                                |  |      |        |      |                        |
| GBP                   | Gain bandwidth product         | $R_L = 2\text{ k}\Omega, C_L = 100\text{ pF}, f = 100\text{ kHz}, T_{op} = 25\text{ }^\circ\text{C}$   |      | 20     |      | MHz                    |
| Gain                  | Minimum gain for stability     | Phase margin = $45^\circ$ , $R_f = 10\text{ k}\Omega$ , $R_L = 2\text{ k}\Omega, C_L = 100\text{ pF}, T_{op} = 25\text{ }^\circ\text{C}$ , positive gain configuration |      | 4      |      | V/V                    |
|                       |                                | Phase margin = $45^\circ$ , $R_f = 10\text{ k}\Omega$ , $R_L = 2\text{ k}\Omega, C_L = 100\text{ pF}, T_{op} = 25\text{ }^\circ\text{C}$ , negative gain configuration |      | -3     |      |                        |
| SR                    | Slew rate                      | $R_L = 2\text{ k}\Omega, C_L = 100\text{ pF}, f = 100\text{ kHz}, T_{op} = 25\text{ }^\circ\text{C}$   |      | 10     |      | V/ $\mu\text{s}$       |
| $e_n$                 | Equivalent input noise voltage | $f = 10\text{ kHz}, T_{op} = 25\text{ }^\circ\text{C}$   |      | 21     |      | nV/ $\sqrt{\text{Hz}}$ |
| THD+N                 | Total harmonic distortion      | $G = -3, f = 1\text{ kHz}, R_L = 2\text{ k}\Omega, Bw = 22\text{ kHz}, V_{icm} = V_{CC}/2, V_{out} = 4.4\text{ V}_{pp}, T_{op} = 25\text{ }^\circ\text{C}$             |      | 0.0014 |      | %                      |

1. Guaranteed by design.

### 3 Electrical characteristic curves

Figure 1. Input offset voltage distribution at T = 25 °C

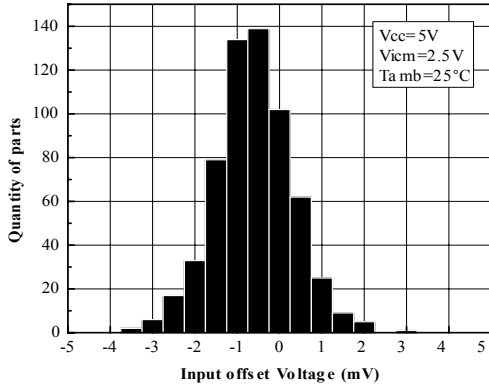


Figure 2. Input offset voltage distribution at T = 125 °C

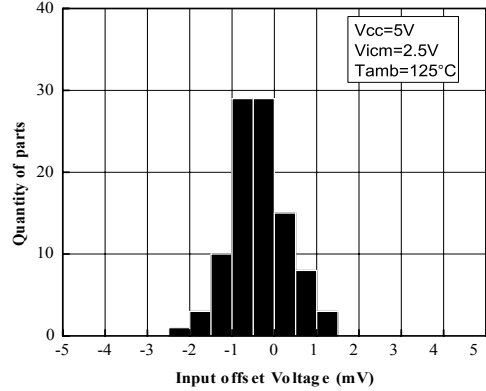


Figure 3. Supply current vs. input common-mode voltage at V<sub>CC</sub> = 2.5 V

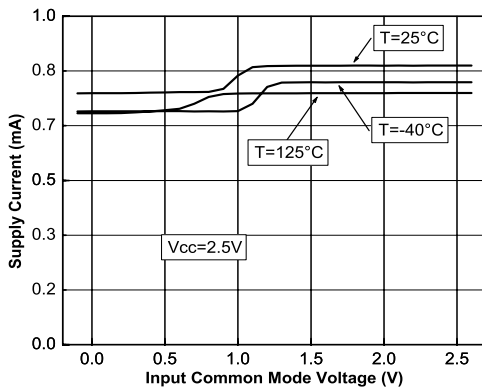


Figure 4. Supply current vs. input common-mode voltage at V<sub>CC</sub> = 5 V

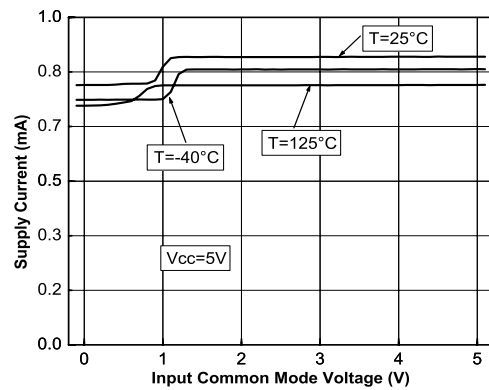


Figure 5. Output current vs. output voltage at V<sub>CC</sub> = 2.5 V

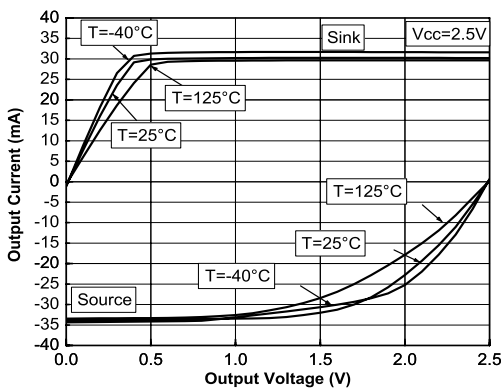
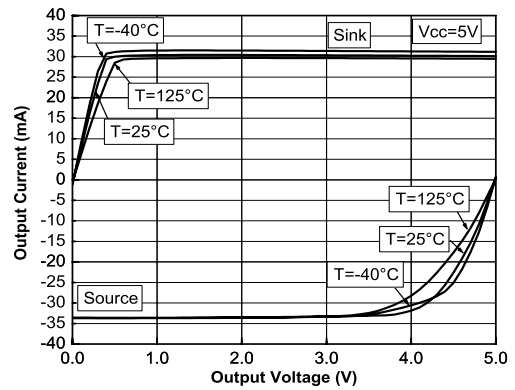
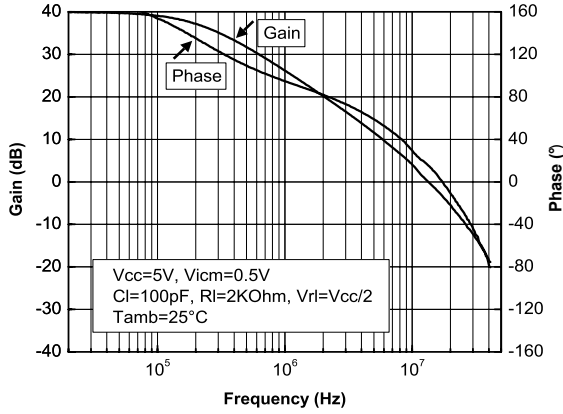


Figure 6. Output current vs. output voltage at V<sub>CC</sub> = 5 V

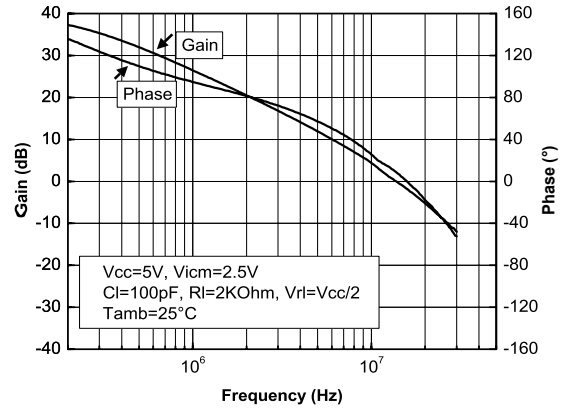




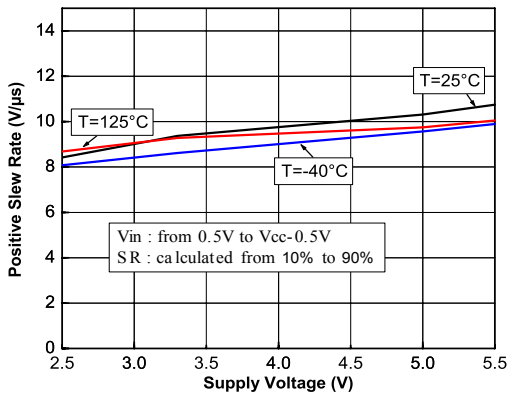
**Figure 7. Voltage gain and phase vs. frequency at  $V_{CC} = 5$  V and  $V_{icm} = 0.5$  V**



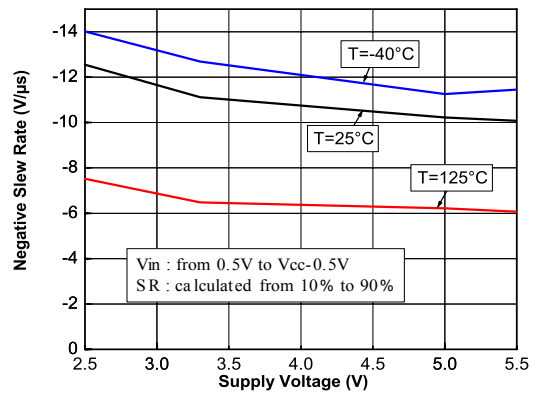
**Figure 8. Voltage gain and phase vs. frequency at  $V_{CC} = 5$  V and  $V_{icm} = 2.5$  V**



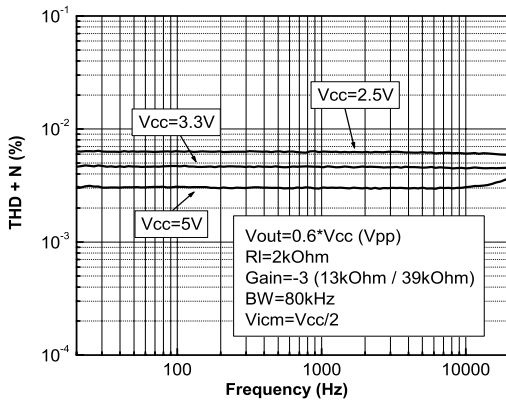
**Figure 9. Positive slew rate**



**Figure 10. Negative slew rate**



**Figure 11. Distortion + noise vs. frequency**



**Figure 12. Distortion + noise vs. output voltage**

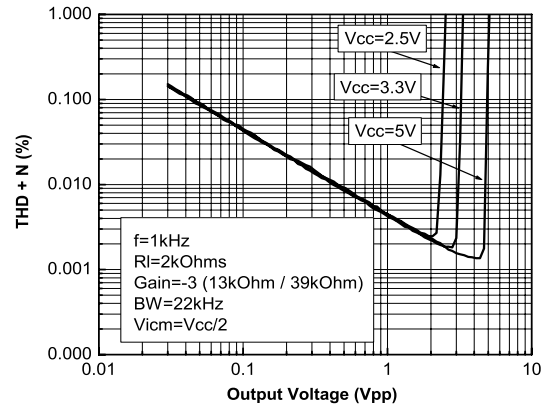


Figure 13. Noise vs. frequency

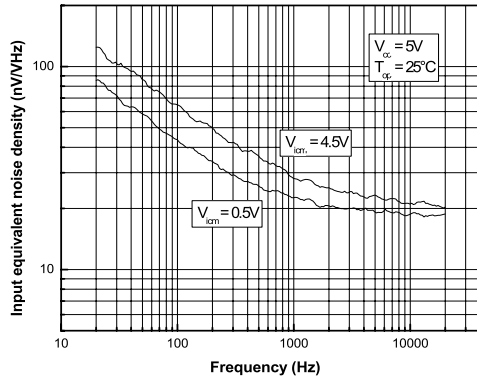
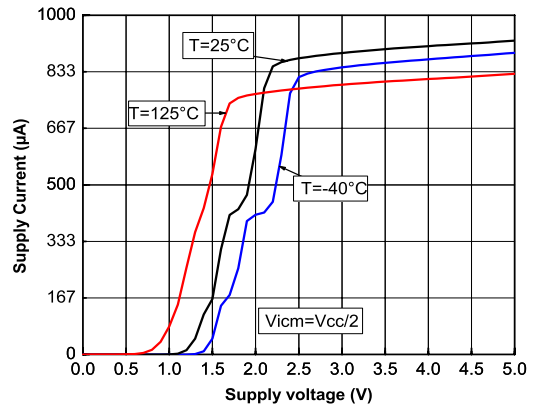


Figure 14. Supply current vs. supply voltage



## 4 Application information

### 4.1 Driving resistive and capacitive loads

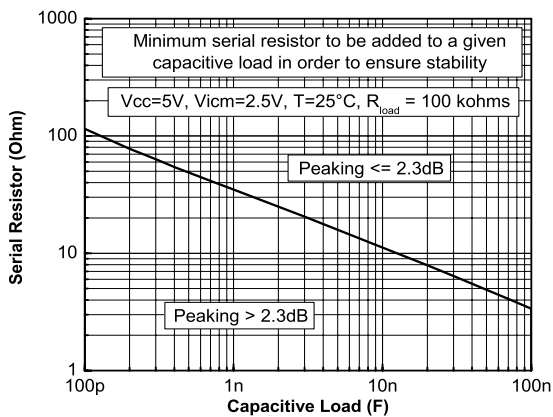
These products are low-voltage, low-power operational amplifiers optimized to drive rather large resistive loads above 2 kΩ.

The TSV99x products are not unity gain stable. To ensure proper stability they must be used in a gain configuration, with a minimum gain of -3 or 4.

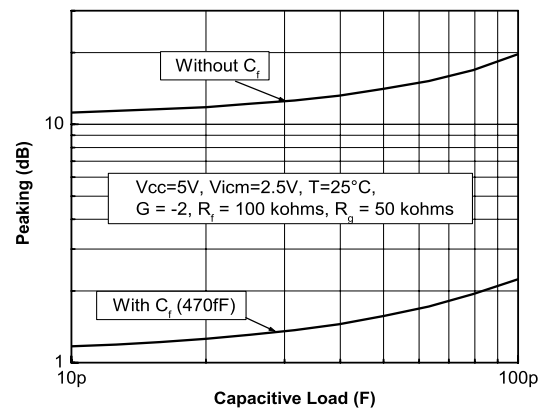
However, they can be used in a “follower” configuration by adding a small, in-series resistor at the output, which drastically improves the stability of the device (Figure 15. In-series resistor vs. capacitive load when TSV99x is used in follower configuration shows the recommended in-series resistor values). Once the in-series resistor value has been selected, the stability of the circuit should be tested on the bench and simulated with the simulation model.

Another way to improve stability and reduce peaking is to add a capacitor in parallel with the feedback resistor. As shown in Figure 16. Peaking versus capacitive load, with or without feedback capacitor in inverting gain configuration, the feedback capacitor drastically reduces the peaking versus capacitive load (inverting gain configuration, gain = -2).

**Figure 15. In-series resistor vs. capacitive load when TSV99x is used in follower configuration**



**Figure 16. Peaking versus capacitive load, with or without feedback capacitor in inverting gain configuration**



### 4.2 PCB layouts

For correct operation, it is advised to add 10 nF decoupling capacitors as close as possible to the power supply pins.

### 4.3 Macromodel

An accurate macromodel of the TSV99x is available on STMicroelectronics' web site at [www.st.com](http://www.st.com). This model is a trade-off between accuracy and complexity (that is, time simulation) of the TSV99x operational amplifiers. It emulates the nominal performance of a typical device within the specified operating conditions mentioned in the datasheet. It helps to validate a design approach and to select the right operational amplifier, however, it does not replace on-board measurements.

## 5 Package information

---

In order to meet environmental requirements, ST offers these devices in different grades of **ECOPACK** packages, depending on their level of environmental compliance. ECOPACK specifications, grade definitions and product status are available at: [www.st.com](http://www.st.com). ECOPACK is an ST trademark.

## 5.1 SOT23-5 package information

Figure 17. SOT23-5 package outline

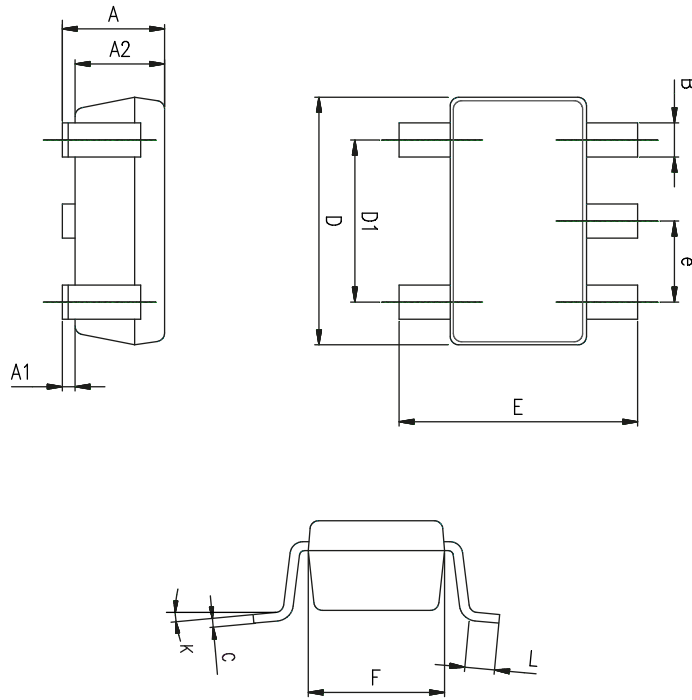


Table 6. SOT23-5 mechanical data

| Ref. | Dimensions  |      |            |           |       |            |
|------|-------------|------|------------|-----------|-------|------------|
|      | Millimeters |      |            | Inches    |       |            |
|      | Min.        | Typ. | Max.       | Min.      | Typ.  | Max.       |
| A    | 0.90        | 1.20 | 1.45       | 0.035     | 0.047 | 0.057      |
| A1   |             |      | 0.15       |           |       | 0.006      |
| A2   | 0.90        | 1.05 | 1.30       | 0.035     | 0.041 | 0.051      |
| B    | 0.35        | 0.40 | 0.50       | 0.014     | 0.016 | 0.020      |
| C    | 0.09        | 0.15 | 0.20       | 0.004     | 0.006 | 0.008      |
| D    | 2.80        | 2.90 | 3.00       | 0.110     | 0.114 | 0.118      |
| D1   |             | 1.90 |            |           | 0.075 |            |
| e    |             | 0.95 |            |           | 0.037 |            |
| E    | 2.60        | 2.80 | 3.00       | 0.102     | 0.110 | 0.118      |
| F    | 1.50        | 1.60 | 1.75       | 0.059     | 0.063 | 0.069      |
| L    | 0.10        | 0.35 | 0.60       | 0.004     | 0.014 | 0.024      |
| K    | 0 degrees   |      | 10 degrees | 0 degrees |       | 10 degrees |

## 5.2 DFN8 2 x 2 package information

Figure 18. DFN8 2 x 2 package outline

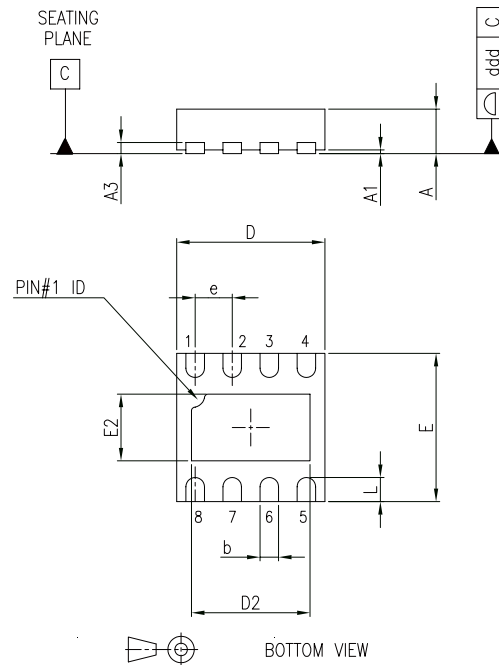
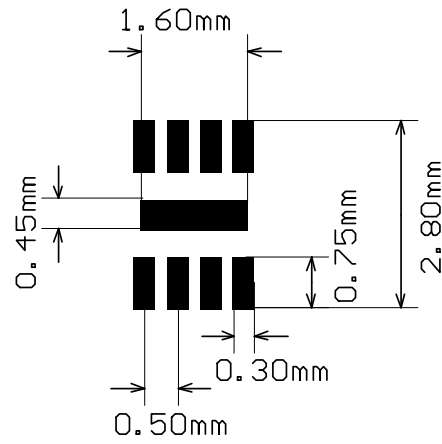


Table 7. DFN8 2 x 2 mechanical data

| Ref. | Dimensions  |      |       |        |       |       |
|------|-------------|------|-------|--------|-------|-------|
|      | Millimeters |      |       | Inches |       |       |
|      | Min.        | Typ. | Max.  | Min.   | Typ.  | Max.  |
| A    | 0.51        | 0.55 | 0.60  | 0.020  | 0.022 | 0.024 |
| A1   |             |      | 0.05  |        |       | 0.002 |
| A3   |             | 0.15 |       |        | 0.006 |       |
| b    | 0.18        | 0.25 | 0.30  | 0.007  | 0.010 | 0.012 |
| D    | 1.85        | 2.00 | 2.15  | 0.073  | 0.079 | 0.085 |
| D2   | 1.45        | 1.60 | 1.70  | 0.057  | 0.063 | 0.067 |
| E    | 1.85        | 2.00 | 2.15  | 0.073  | 0.079 | 0.085 |
| E2   | 0.75        | 0.90 | 1.00  | 0.030  | 0.035 | 0.039 |
| e    |             | 0.50 |       |        | 0.020 |       |
| L    |             |      | 0.425 |        |       | 0.017 |
| ddd  |             |      | 0.08  |        |       | 0.003 |

Figure 19. DFN8 2 x 2 recommended footprint



*Note:* The exposed pad of the DFN8 2x2 package is not internally connected. It can be set to ground or left floating.

### 5.3 DFN6 1.3 x 1.6 x 0.55 package information

Figure 20. DFN6 1.3 x 1.6 x 0.55 package outline

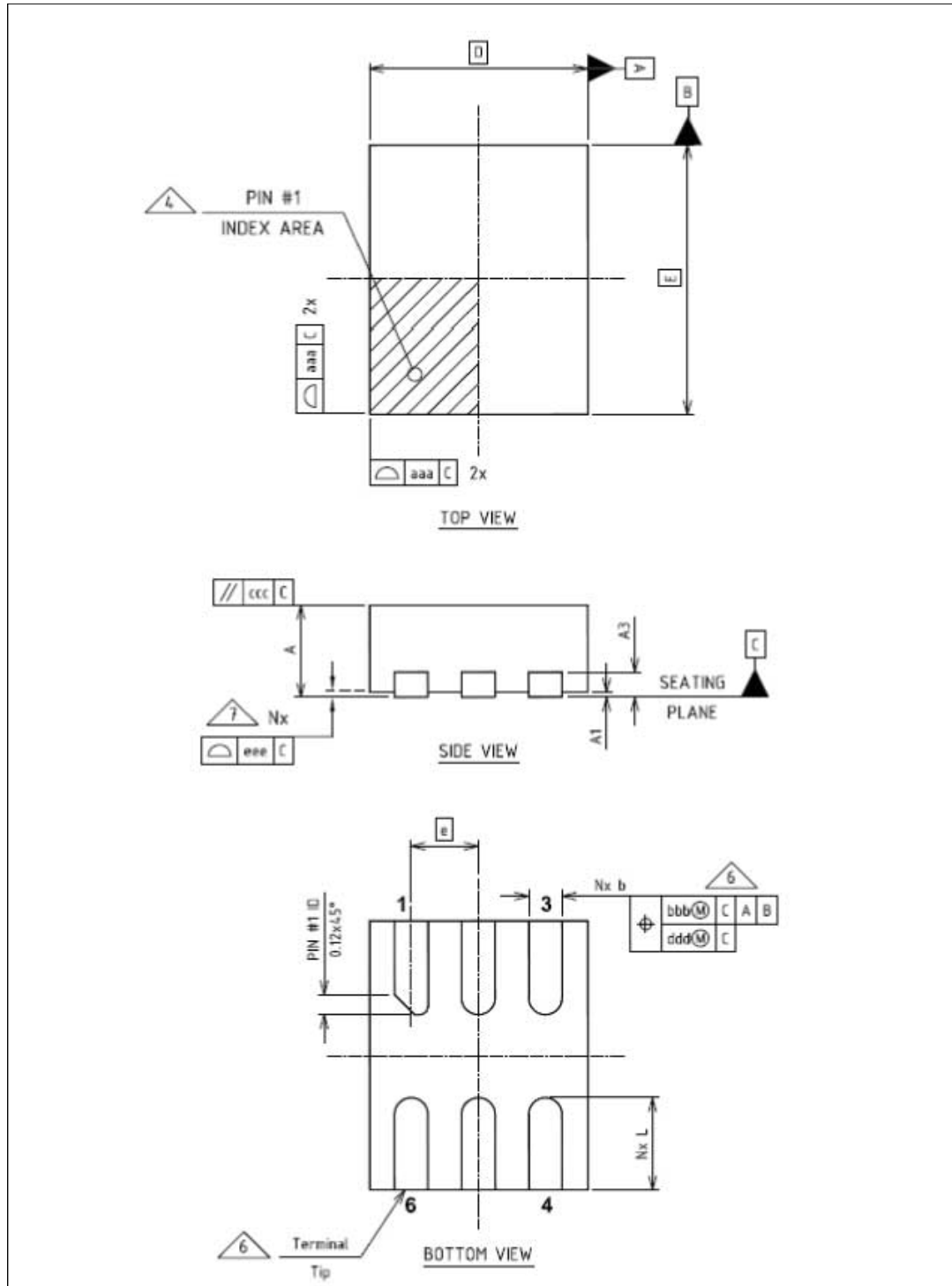
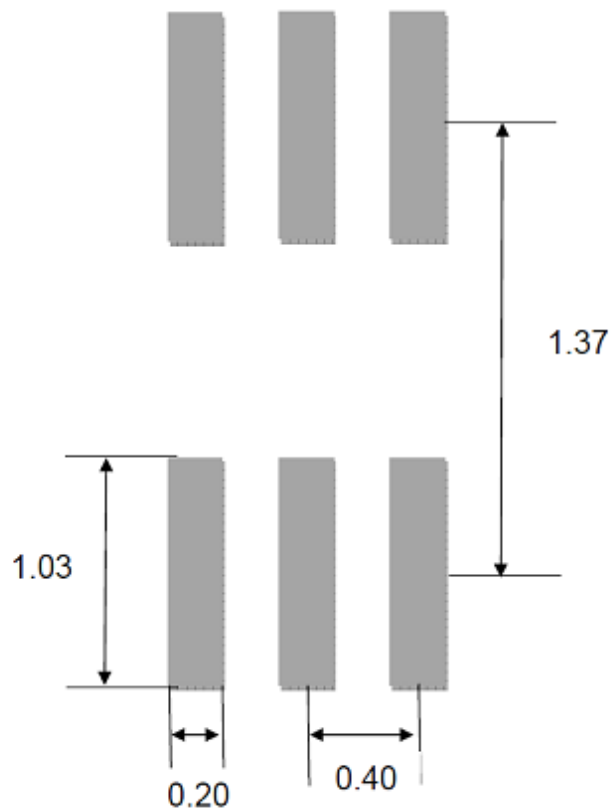




Table 8. DFN6 1.3 x 1.6 x 0.55 mechanical data

| Ref. | Dimensions  |       |       |        |       |       |
|------|-------------|-------|-------|--------|-------|-------|
|      | Millimeters |       |       | Inches |       |       |
|      | Min.        | Typ.  | Max.  | Min.   | Typ.  | Max.  |
| A    | 0.50        | 0.55  | 0.60  | 0.020  | 0.022 | 0.024 |
| A1   | 0.00        | 0.02  | 0.05  | 0.000  | 0.001 | 0.002 |
| A3   |             | 0.15  |       |        | 0.006 |       |
| B    | 0.15        | 0.20  | 0.25  | 0.006  | 0.008 | 0.010 |
| D    |             | 1.30  |       |        | 0.051 |       |
| E    |             | 1.60  |       |        | 0.063 |       |
| e    |             | 0.40  |       |        | 0.016 |       |
| L    | 0.453       | 0.553 | 0.653 | 0.018  | 0.022 | 0.026 |
| N    |             | 6     |       |        | 0.236 |       |
| aaa  |             | 0.05  |       |        | 0.002 |       |
| bbb  |             | 0.07  |       |        | 0.003 |       |
| ccc  |             | 0.10  |       |        | 0.004 |       |
| ddd  |             | 0.05  |       |        | 0.002 |       |
| eee  |             | 0.08  |       |        | 0.003 |       |

Figure 21. DFN6 1.3 x 1.6 x 0.55 recommended footprint



## 5.4 MiniSO8 package information

Figure 22. MiniSO8 package outline

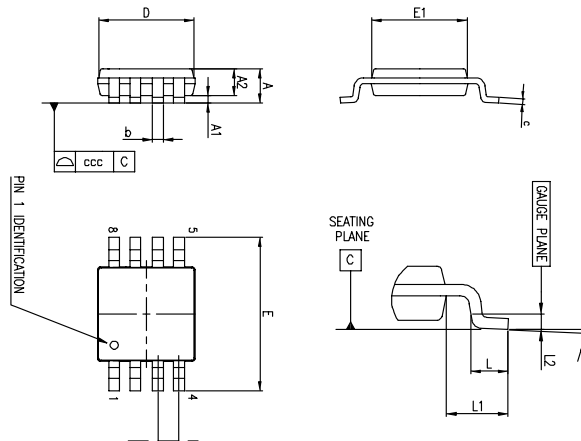


Table 9. MiniSO8 package mechanical data

| Ref. | Dimensions  |      |      |        |       |        |
|------|-------------|------|------|--------|-------|--------|
|      | Millimeters |      |      | Inches |       |        |
|      | Min.        | Typ. | Max. | Min.   | Typ.  | Max.   |
| A    |             |      | 1.1  |        |       | 0.043  |
| A1   | 0           |      | 0.15 | 0      |       | 0.0006 |
| A2   | 0.75        | 0.85 | 0.95 | 0.030  | 0.033 | 0.037  |
| b    | 0.22        |      | 0.40 | 0.009  |       | 0.016  |
| c    | 0.08        |      | 0.23 | 0.003  |       | 0.009  |
| D    | 2.80        | 3.00 | 3.20 | 0.11   | 0.118 | 0.126  |
| E    | 4.65        | 4.90 | 5.15 | 0.183  | 0.193 | 0.203  |
| E1   | 2.80        | 3.00 | 3.10 | 0.11   | 0.118 | 0.122  |
| e    |             | 0.65 |      |        | 0.026 |        |
| L    | 0.40        | 0.60 | 0.80 | 0.016  | 0.024 | 0.031  |
| L1   |             | 0.95 |      |        | 0.037 |        |
| L2   |             | 0.25 |      |        | 0.010 |        |
| k    | 0°          |      | 8°   | 0°     |       | 8°     |
| ccc  |             |      | 0.10 |        |       | 0.004  |

## 5.5 SO8 package information

Figure 23. SO8 package outline

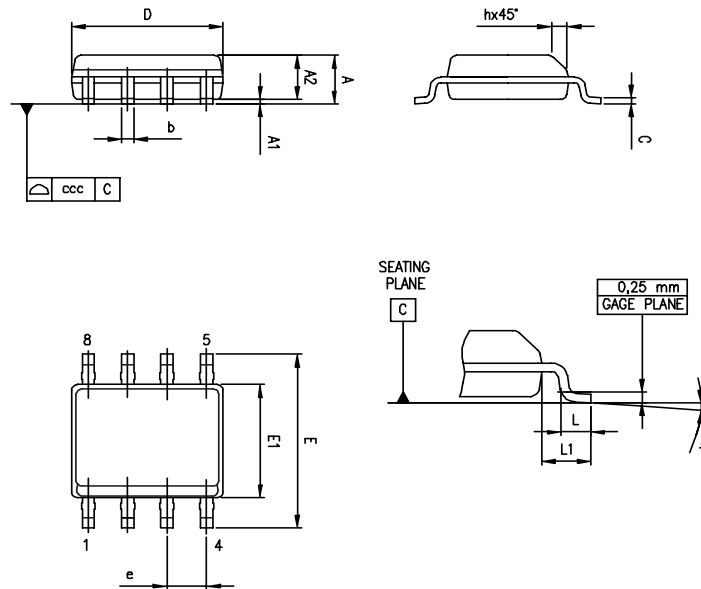


Table 10. SO8 package mechanical data

| Ref. | Dimensions  |      |      |        |       |       |
|------|-------------|------|------|--------|-------|-------|
|      | Millimeters |      |      | Inches |       |       |
|      | Min.        | Typ. | Max. | Min.   | Typ.  | Max.  |
| A    |             |      | 1.75 |        |       | 0.069 |
| A1   | 0.10        |      | 0.25 | 0.004  |       | 0.010 |
| A2   | 1.25        |      |      | 0.049  |       |       |
| b    | 0.28        |      | 0.48 | 0.011  |       | 0.019 |
| c    | 0.17        |      | 0.23 | 0.007  |       | 0.010 |
| D    | 4.80        | 4.90 | 5.00 | 0.189  | 0.193 | 0.197 |
| E    | 5.80        | 6.00 | 6.20 | 0.228  | 0.236 | 0.244 |
| E1   | 3.80        | 3.90 | 4.00 | 0.150  | 0.154 | 0.157 |
| e    |             | 1.27 |      |        | 0.050 |       |
| h    | 0.25        |      | 0.50 | 0.010  |       | 0.020 |
| L    | 0.40        |      | 1.27 | 0.016  |       | 0.050 |
| L1   |             | 1.04 |      |        | 0.040 |       |
| k    | 0°          |      | 8°   | 0°     |       | 8°    |
| ccc  |             |      | 0.10 |        |       | 0.004 |

## 5.6 SO14 package information

Figure 24. SO14 package outline

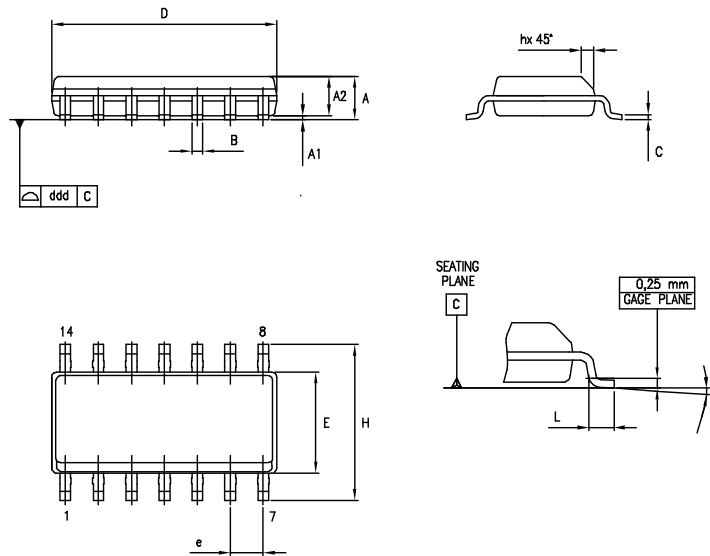


Table 11. SO14 package mechanical data

| Ref. | Dimensions  |      |      |        |      |       |
|------|-------------|------|------|--------|------|-------|
|      | Millimeters |      |      | Inches |      |       |
|      | Min.        | Typ. | Max. | Min.   | Typ. | Max.  |
|      |             |      | 1.75 |        |      | 0.069 |
| A    | 1.35        |      | 1.75 | 0.05   |      | 0.068 |
| A1   | 0.10        |      | 0.25 | 0.004  |      | 0.009 |
| A2   | 1.10        |      | 1.65 | 0.04   |      | 0.06  |
| B    | 0.33        |      | 0.51 | 0.01   |      | 0.02  |
| C    | 0.19        |      | 0.25 | 0.007  |      | 0.009 |
| D    | 8.55        |      | 8.75 | 0.33   |      | 0.34  |
| E    | 3.80        |      | 4.0  | 0.15   |      | 0.15  |
| e    |             | 1.27 |      |        | 0.05 |       |
| H    | 5.80        |      | 6.20 | 0.22   |      | 0.24  |
| h    | 0.25        |      | 0.50 | 0.009  |      | 0.02  |
| L    | 0.40        |      | 1.27 | 0.015  |      | 0.05  |
| k    | 8° (max.)   |      |      |        |      |       |
| ddd  |             |      | 0.10 |        |      | 0.004 |

## 5.7 TSSOP14 package information

Figure 25. TSSOP14 package outline

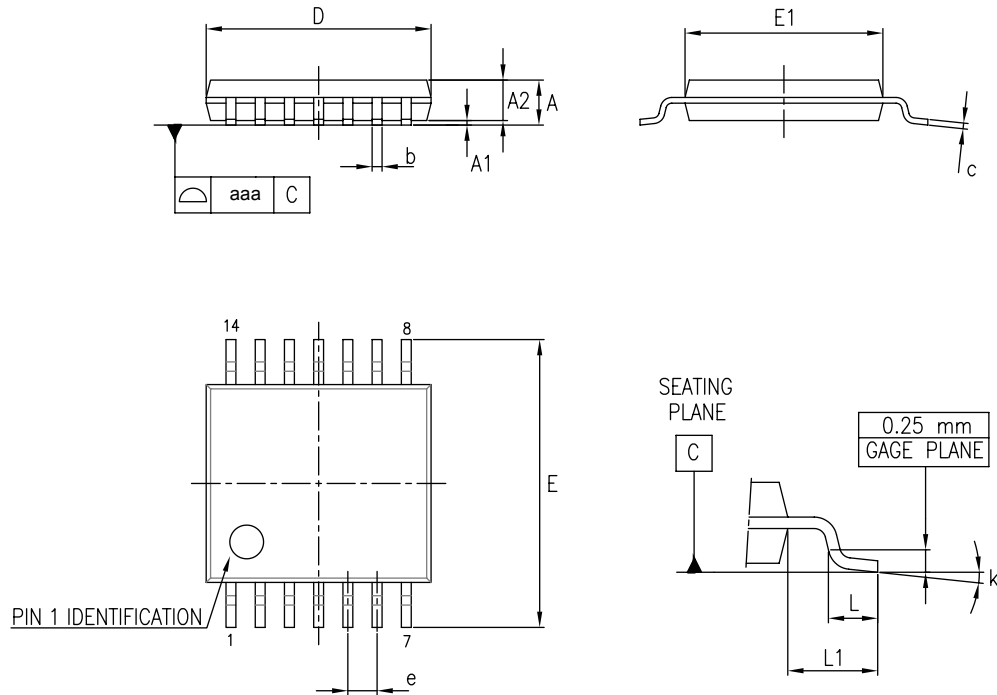


Table 12. TSSOP14 package mechanical data

| Ref. | Dimensions  |      |      |        |        |        |
|------|-------------|------|------|--------|--------|--------|
|      | Millimeters |      |      | Inches |        |        |
|      | Min.        | Typ. | Max. | Min.   | Typ.   | Max.   |
| A    |             |      | 1.20 |        |        | 0.047  |
| A1   | 0.05        |      | 0.15 | 0.002  | 0.004  | 0.006  |
| A2   | 0.80        | 1.00 | 1.05 | 0.031  | 0.039  | 0.041  |
| b    | 0.19        |      | 0.30 | 0.007  |        | 0.012  |
| c    | 0.09        |      | 0.20 | 0.004  |        | 0.0089 |
| D    | 4.90        | 5.00 | 5.10 | 0.193  | 0.197  | 0.201  |
| E    | 6.20        | 6.40 | 6.60 | 0.244  | 0.252  | 0.260  |
| E1   | 4.30        | 4.40 | 4.50 | 0.169  | 0.173  | 0.176  |
| e    |             | 0.65 |      |        | 0.0256 |        |
| L    | 0.45        | 0.60 | 0.75 | 0.018  | 0.024  | 0.030  |
| L1   |             | 1.00 |      |        | 0.039  |        |
| k    | 0°          |      | 8°   | 0°     |        | 8°     |
| aaa  |             |      | 0.10 |        |        | 0.004  |

## 6 Ordering information

**Table 13. Order code**

| Order code                 | Temperature range                    | Package           | Packing       | Marking |
|----------------------------|--------------------------------------|-------------------|---------------|---------|
| TSV991ILT                  | -40 °C to 125 °C                     | SOT23-5           | Tape and reel | K130    |
| TSV991AILT                 |                                      |                   |               | K129    |
| TSV991IQ2T                 |                                      | DFN8 2x2          |               | K1F     |
| TSV991AIQ2T                |                                      |                   |               | K1E     |
| TSV991AIQ1T                |                                      | DFN6 1.3x1.6x0.55 |               | K5      |
| TSV992IST                  |                                      | MiniSO8           |               | K132    |
| TSV992AIST                 |                                      |                   |               | K135    |
| TSV992IDT                  |                                      | SO8               |               | V992I   |
| TSV992AIDT                 |                                      |                   |               | V992AI  |
| TSV992IQ2T                 |                                      | DFN8 2x2          |               | K38     |
| TSV994IPT                  |                                      | TSSOP14           |               | V994I   |
| TSV994AIPT                 |                                      |                   |               | V994AI  |
| TSV994IDT                  |                                      | SO14              |               | V994I   |
| TSV994AIDT                 |                                      |                   |               | V994AI  |
| TSV991IYLT <sup>(1)</sup>  | -40 °C to 125 °C<br>automotive grade | SOT23-5           | K149          |         |
| TSV991AIYLT <sup>(1)</sup> |                                      |                   | K150          |         |
| TSV992IYDT <sup>(1)</sup>  |                                      | SO8               | V992IY        |         |
| TSV992AIYDT <sup>(1)</sup> |                                      |                   | V992AY        |         |
| TSV992IYST <sup>(1)</sup>  |                                      | MiniSO8           | K149          |         |
| TSV992AIYST <sup>(1)</sup> |                                      |                   | K150          |         |
| TSV994IYDT <sup>(1)</sup>  |                                      | SO14              | V994IY        |         |
| TSV994AIYDT <sup>(1)</sup> |                                      |                   | V994AY        |         |
| TSV994IYPT <sup>(1)</sup>  |                                      | TSSOP14           | V994IY        |         |
| TSV994AIYPT <sup>(1)</sup> |                                      |                   | V994AY        |         |

1. Qualified and characterized according to AEC Q100 and Q003 or equivalent, advanced screening according to AEC Q001 & Q 002 or equivalent.

**Note:** In the table above, all packages except the SO14 are "moisture sensitivity level 1" as per JEDEC J-STD-020-C. SO14 is JEDEC level 3.

## Revision history

**Table 14. Document revision history**

| Date        | Revision | Changes  |
|-------------|----------|--|
| 31-Jul-2006 | 1        | Preliminary data release for product under development.  |
| 07-Nov-2006 | 2        | Final version of datasheet.  |
| 12-Dec-2006 | 3        | Noise and distortion figures added.  |
| 07-Jun-2007 | 4        | ESD tolerance modified for SO14, CDM in Table 1: "Absolute maximum ratings (AMR)".<br>Automotive grade commercial products added in Table 13: "Order codes".<br>Note about SO14 added in Table 13: "Order codes".<br>Limits in temperature added in Section 2: "Electrical characteristics".   |
| 11-Feb-2008 | 5        | Corrected MiniSO8 package information.<br>Corrected footnote for automotive grade order codes in order code table.<br>Improved presentation of package information.  |
| 25-May-2009 | 6        | Added input current information in Table 1: "Absolute maximum ratings (AMR)".<br>Added Section 3: "Application information".<br>Updated all packages in Section 4: "Package information".<br>Added new order codes: TSV991IYLT, TSV991AIYLT, TSV992IYST, TSV992AIYST, TSV994IYPT, TSV994AIYPT in Table 13: "Order codes".  |
| 19-Oct-2009 | 7        | Added A versions of devices in title on cover page.<br>Added parameters for full temperature range in Table 3, Table 4, and Table 5.<br>Removed gain margin and phase margin parameters in Table 3, Table 4, and Table 5. These parameters have been replaced by the gain parameter (minimum gain for stability).<br>Added Figure 14 and Figure 16.  |
| 14-Jan-2010 | 8        | Added parameters for full temperature range in Table 3, Table 4, and Table 5.<br>Modified note relative to automotive grade in Table 13: "Order codes".  |
| 22-Oct-2012 | 9        | Document status changed to production data.<br>Modified gain value in Features and Description.<br>Added DFN8 2x2 pin connection diagram.<br>Table 1: "Absolute maximum ratings (AMR)": added package DFN8 2x2 to rows R <sub>thja</sub> and ESD.<br>Table 3, Table 4, and Table 5: replaced "DV <sub>io</sub> " with $\Delta V_{io}/\Delta T$ ; modified "Gain" and "THD +N" conditions and typical values.<br>Figure 7 and Figure 8: added arrows indicating "Gain" and "Phase". |
| 22-Oct-2012 | 9 cont'd | Figure 11 and Figure 12: updated.<br>Added Figure 18: "DFN8 2 x 2 mm (NB) package outline" and Figure 19: "DFN8 2 x 2 mm (NB) recommended footprint".<br>Table 13: "Order codes": updated automotive grade qualification and added order code of DFN8 package.   |
| 10-Mar-2014 | 10       | Table 13: "Order codes": added new commercial product TSV991AIQ2T; corrected "Marking" error for TSV991IQ2T from K1E to K1F.   |
| 12-Jun-2015 | 11       | Added DFN6 1.3 x 1.6 x 0.55 package for new order code TSV991AIQ1T.<br>Updated "L" dimension of Section 4: "DFN8 2 x 2 mm (NB) package information".<br>Updated min "k" value of Section 4.5: "SO8 package information".   |

| Date        | Revision | Changes   |
|-------------|----------|---|
| 27-Nov-2015 | 12       | Table 3, Table 4, and Table 5: modified that $R_L = 600 \Omega$ (not $600 \text{ k}\Omega$ ) for the high-level and low-level output voltage parameters.<br>Section 5.2: updated name of package and titles of drawings and table; added note about exposed pad.<br>Section 5.3: updated name of package. |
| 03-Apr-2018 | 13       | Updated cover image and Table 13. Order code.   |
| 19-Jun-2019 | 14       | Updated the related product table in cover page.  |



## Contents

|          |  |           |
|----------|--|-----------|
| <b>1</b> | <b>Absolute maximum ratings and operating conditions</b> | <b>2</b>  |
| <b>2</b> | <b>Electrical characteristics</b>                        | <b>4</b>  |
| <b>3</b> | <b>Electrical characteristic curves</b>                  | <b>8</b>  |
| <b>4</b> | <b>Application information</b>                           | <b>11</b> |
| 4.1      | Driving resistive and capacitive loads                   | 11        |
| 4.2      | PCB layouts  | 11        |
| 4.3      | Macromodel   | 11        |
| <b>5</b> | <b>Package information</b>                               | <b>12</b> |
| 5.1      | SOT23-5 package information                              | 13        |
| 5.2      | DFN8 2 x 2 package information                           | 14        |
| 5.3      | DFN6 1.3 x 1.6 x 0.55 package information                | 15        |
| 5.4      | MiniSO8 package information                              | 17        |
| 5.5      | SO8 package information                                  | 19        |
| 5.6      | SO14 package information                                 | 20        |
| 5.7      | TSSOP14 package information                              | 21        |
| <b>6</b> | <b>Ordering information</b>                              | <b>22</b> |
|          | <b>Revision history</b>                                  | <b>23</b> |
|          | <b>@NA</b>   | <b>28</b> |

## List of tables

|                  |   |    |
|------------------|---|----|
| <b>Table 1.</b>  | Absolute maximum ratings (AMR) . . . . .  | 2  |
| <b>Table 2.</b>  | Operating conditions . . . . .  | 3  |
| <b>Table 3.</b>  | Electrical characteristics at $V_{CC+} = 2.5\text{ V}$ , $V_{CC-} = 0\text{ V}$ , $V_{icm} = V_{CC}/2$ , with $R_L$ connected to $V_{CC}/2$ , full temperature range (unless otherwise specified) . . . . . | 4  |
| <b>Table 4.</b>  | Electrical characteristics at $V_{CC+} = 3.3\text{ V}$ , $V_{CC-} = 0\text{ V}$ , $V_{icm} = V_{CC}/2$ , with $R_L$ connected to $V_{CC}/2$ , full temperature range (unless otherwise specified) . . . . . | 5  |
| <b>Table 5.</b>  | Electrical characteristics at $V_{CC+} = 5\text{ V}$ , $V_{CC-} = 0\text{ V}$ , $V_{icm} = V_{CC}/2$ , with $R_L$ connected to $V_{CC}/2$ , full temperature range (unless otherwise specified) . . . . .   | 6  |
| <b>Table 6.</b>  | SOT23-5 mechanical data . . . . .   | 13 |
| <b>Table 7.</b>  | DFN8 2 x 2 mechanical data . . . . .  | 14 |
| <b>Table 8.</b>  | DFN6 1.3 x 1.6 x 0.55 mechanical data . . . . .   | 17 |
| <b>Table 9.</b>  | MiniSO8 package mechanical data . . . . .   | 18 |
| <b>Table 10.</b> | SO8 package mechanical data . . . . .   | 19 |
| <b>Table 11.</b> | SO14 package mechanical data . . . . .  | 20 |
| <b>Table 12.</b> | TSSOP14 package mechanical data . . . . .   | 21 |
| <b>Table 13.</b> | Order code . . . . .  | 22 |
| <b>Table 14.</b> | Document revision history . . . . .   | 23 |

## List of figures

|                   |  |    |
|-------------------|--|----|
| <b>Figure 1.</b>  | Input offset voltage distribution at $T = 25\text{ }^{\circ}\text{C}$ . . . . .                              | 8  |
| <b>Figure 2.</b>  | Input offset voltage distribution at $T = 125\text{ }^{\circ}\text{C}$ . . . . .                             | 8  |
| <b>Figure 3.</b>  | Supply current vs. input common-mode voltage at $V_{CC} = 2.5\text{ V}$ . . . . .                            | 8  |
| <b>Figure 4.</b>  | Supply current vs. input common-mode voltage at $V_{CC} = 5\text{ V}$ . . . . .                              | 8  |
| <b>Figure 5.</b>  | Output current vs. output voltage at $V_{CC} = 2.5\text{ V}$ . . . . .                                       | 8  |
| <b>Figure 6.</b>  | Output current vs. output voltage at $V_{CC} = 5\text{ V}$ . . . . .   | 8  |
| <b>Figure 7.</b>  | Voltage gain and phase vs. frequency at $V_{CC} = 5\text{ V}$ and $V_{icm} = 0.5\text{ V}$ . . . . .         | 9  |
| <b>Figure 8.</b>  | Voltage gain and phase vs. frequency at $V_{CC} = 5\text{ V}$ and $V_{icm} = 2.5\text{ V}$ . . . . .         | 9  |
| <b>Figure 9.</b>  | Positive slew rate . . . . .   | 9  |
| <b>Figure 10.</b> | Negative slew rate . . . . .   | 9  |
| <b>Figure 11.</b> | Distortion + noise vs. frequency . . . . .   | 9  |
| <b>Figure 12.</b> | Distortion + noise vs. output voltage . . . . .  | 9  |
| <b>Figure 13.</b> | Noise vs. frequency. . . . .   | 10 |
| <b>Figure 14.</b> | Supply current vs. supply voltage . . . . .  | 10 |
| <b>Figure 15.</b> | In-series resistor vs. capacitive load when TSV99x is used in follower configuration . . . . .               | 11 |
| <b>Figure 16.</b> | Peaking versus capacitive load, with or without feedback capacitor in inverting gain configuration . . . . . | 11 |
| <b>Figure 17.</b> | SOT23-5 package outline . . . . .  | 13 |
| <b>Figure 18.</b> | DFN8 2 x 2 package outline . . . . .   | 14 |
| <b>Figure 19.</b> | DFN8 2 x 2 recommended footprint. . . . .  | 15 |
| <b>Figure 20.</b> | DFN6 1.3 x 1.6 x 0.55 package outline . . . . .  | 16 |
| <b>Figure 21.</b> | DFN6 1.3 x 1.6 x 0.55 recommended footprint . . . . .  | 17 |
| <b>Figure 22.</b> | MiniSO8 package outline . . . . .  | 18 |
| <b>Figure 23.</b> | SO8 package outline . . . . .  | 19 |
| <b>Figure 24.</b> | SO14 package outline . . . . .   | 20 |
| <b>Figure 25.</b> | TSSOP14 package outline . . . . .  | 21 |

**IMPORTANT NOTICE – PLEASE READ CAREFULLY**

STMicroelectronics NV and its subsidiaries (“ST”) reserve the right to make changes, corrections, enhancements, modifications, and improvements to ST products and/or to this document at any time without notice. Purchasers should obtain the latest relevant information on ST products before placing orders. ST products are sold pursuant to ST’s terms and conditions of sale in place at the time of order acknowledgement.

Purchasers are solely responsible for the choice, selection, and use of ST products and ST assumes no liability for application assistance or the design of Purchasers’ products.

No license, express or implied, to any intellectual property right is granted by ST herein.

Resale of ST products with provisions different from the information set forth herein shall void any warranty granted by ST for such product.

ST and the ST logo are trademarks of ST. For additional information about ST trademarks, please refer to [www.st.com/trademarks](http://www.st.com/trademarks). All other product or service names are the property of their respective owners.

Information in this document supersedes and replaces information previously supplied in any prior versions of this document.

© 2019 STMicroelectronics – All rights reserved

# Mouser Electronics

Authorized Distributor

Click to View Pricing, Inventory, Delivery & Lifecycle Information:

## STMicroelectronics:

[TSV994AIPT](#) [TSV992AIDT](#) [TSV992AIST](#) [TSV992IST](#) [TSV992IDT](#) [TSV994IPT](#) [TSV991ILT](#) [TSV991AILT](#)  
[TSV994AIDT](#) [TSV994IDT](#) [TSV992AIYST](#) [TSV992IYST](#) [TSV991IYLT](#) [TSV991AIQ2T](#) [TSV991IQ2T](#) [TSV992IYDT](#)  
[TSV994IYDT](#) [TSV994AIYDT](#) [TSV991AIQ1T](#) [TSV994IYPT](#) [TSV991AIYDT](#) [TSV994AIYPT](#) [TSV991AIYLT](#)  
[TSV992AIYDT](#) [TSV991IYDT](#) [TSV992IQ2T](#)